

Effective Date: September 2009



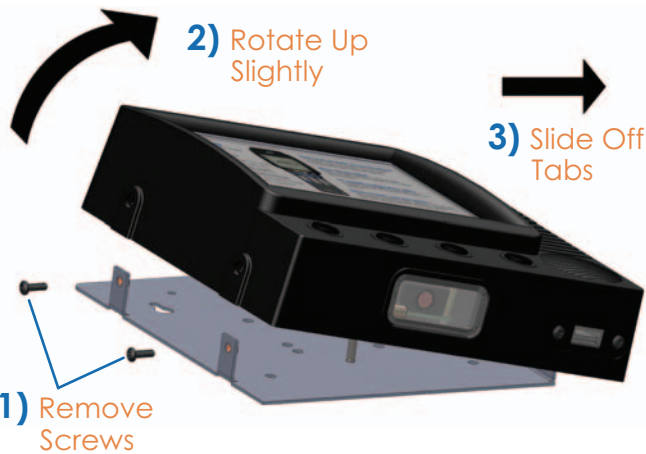
KDT750/900 Price Checker/Kiosk

Getting Started

Getting Started

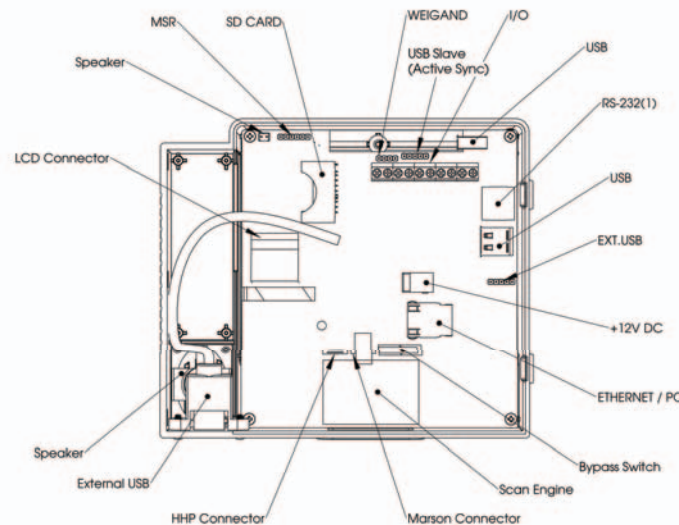
Getting Started

1 Open Outer Case



Connections to the KDT unit are housed internally to prevent vandalism and to secure devices.

2 Internal Connections



3 Power Requirements

The KDT750/900 can utilize three power sources: external DC power supply, Power-over-Ethernet, and an optional internal backup battery.

External DC Power Supply

WARNING: Using power supplies that are not supplied by AML for use with the KDT900 unit can cause damage to the unit and will void all warranties.

Internal Power-over-Ethernet Supply

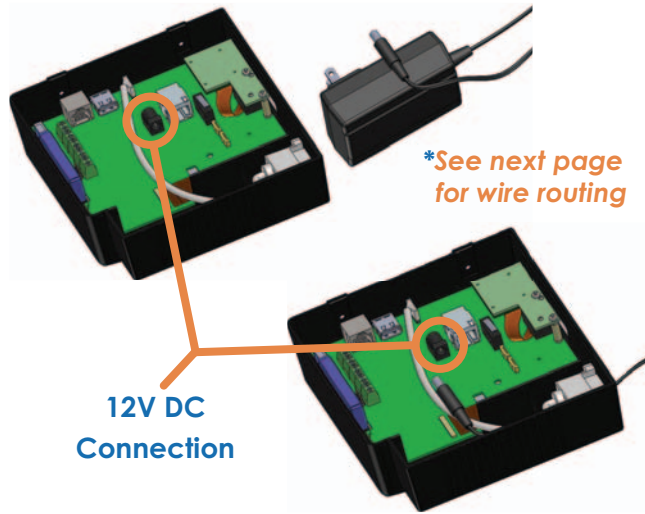
The KDT750/900 contains an 802.3af compatible power supply. The unit can be powered via category 5 networking cable when used with an 802.3af compatible power injector. Both network traffic and power can be sent via the same category 5 wire.

KDT750/900 Price Checker/Kiosk

Wiring Installation

Connecting External DC Power Supply

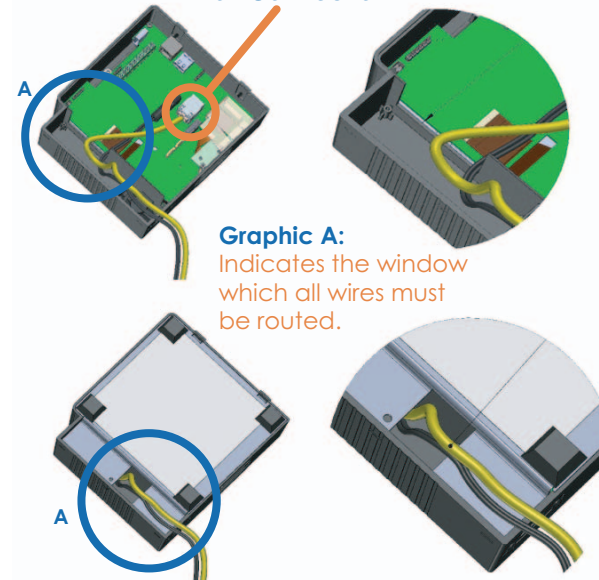
WARNING: Using power supplies that are not approved by AML for use with the KDT900 unit can cause damage to the unit and will void all warranties.



Wiring Installation

Connecting Internal Power-over-Ethernet Supply

PoE Connection



Wiring Installation

Closing Case

- 1 Align and insert the tabs on the back plate with the slots on the side (Shown in "Side View").
- 2 Then, gently close the case and insert the screws.
- 3 **Note: The Rear Panel must be closed and secured before the unit will power on.**



KDT750/900 Price Checker/Kiosk

Download the KDT750/900 Specification Sheets and User's Manual at the web addresses listed below:

Learn more about the KDT750 Price Checker at

<http://www.amltd.com/KDT750.asp>

or

Learn more about the KDT900 Kiosk Data Terminal at

<http://www.amltd.com/KDT900.asp>

KDT750/900 Accessories



KDT MSR Attachment



KDT HID Attachment



KDT RAM Mount Attachment

Warranty Agreements

- SVC-EW750/900 KDT750/900 Extended Warranty (3 Years)
- SVC-EWP750/900 KDT750/900 Extended Plus Warranty (3 Years) *Extended Plus warranty includes "no fault" coverage for external components.*
- SVC-EWX750/900 KDT750/900 CARE Plan Extended Warranty (3 Years) *The Care Plan is an Advanced Exchange Program. Requires purchase of spare devices.*

© 2009 American Microsystems, Ltd. All rights reserved.

American Microsystems, Ltd. reserves the right to make changes in specifications and other information contained in this document without prior notice, and the reader should in all cases consult American Microsystems, Ltd. to determine whether any such changes have been made. The information in this publication does not represent a commitment on the part of American Microsystems, Ltd.

American Microsystems, Ltd. shall not be liable for technical or editorial errors or omissions contained herein; nor for incidental or consequential damages resulting from the furnishing, performance, or use of this material. This document contains proprietary information which is protected by copyright. All rights are reserved. No part of this document may be photocopied, reproduced, or translated into another language without the prior written consent of American Microsystems, Ltd.



Safety NOM/NYCE-NOM-019-SCFI-1998
Safety of data processing equipment



2190 Regal Parkway
Euless, TX 76040
www.amltd.com
1-800-648-4452
email: sales@amltd.com