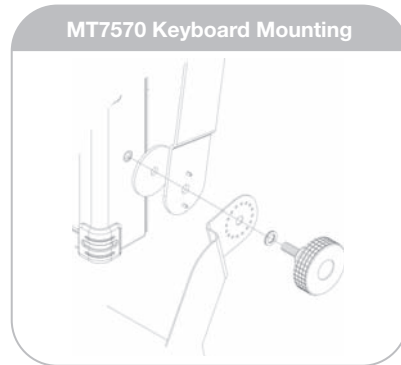
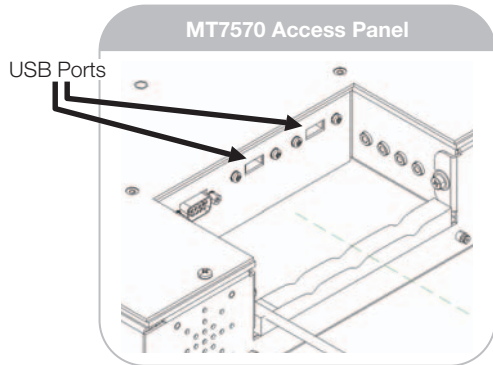


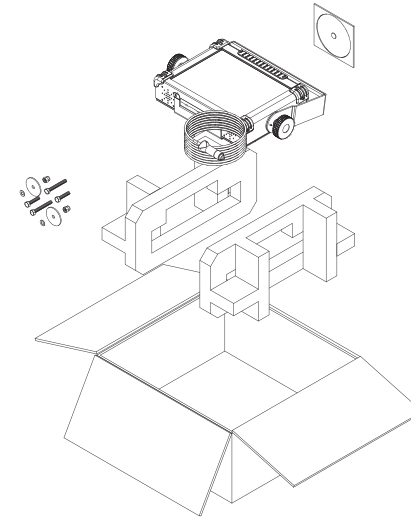
5 Connecting Optional Keyboard

The MT7570 can support an optional keyboard. This keyboard is connected to the terminal through either of the USB ports located on the bottom/back of the MT7570. Loosen the two thumbscrews holding the access cover and rotate it off. Connect the keyboard's cable to one of the USB ports, and replace the cover.



1 Unpacking the MT7570

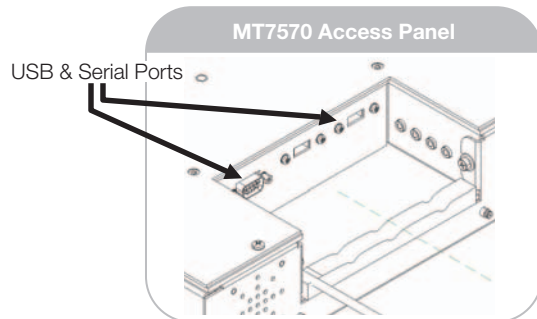
Remove the unit from the box and ensure all the parts are present and in good condition.



6 Connecting Optional Barcode Scanner

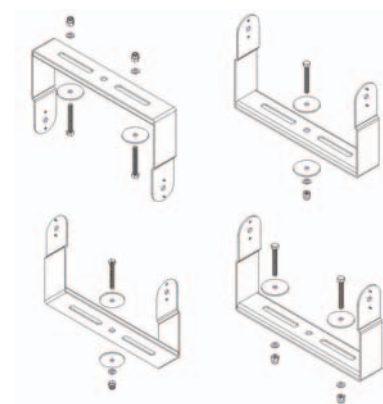
The MT7570 can support an optional handheld tethered scanner. This scanner is attached through the serial port or USB port located on the bottom/back of the MT7570 unit. Loosen the two thumbscrews holding the access cover and rotate it off. The rubber seals cover the communication ports from outside contamination.

6



2 Mounting hardware configuration

The mounting hardware can be used in a variety of ways depending on the operator preference and what type of vehicle mounting is available.



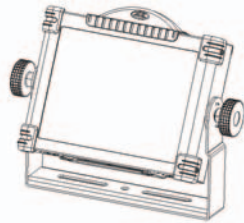
Steps 2-3

Step 4

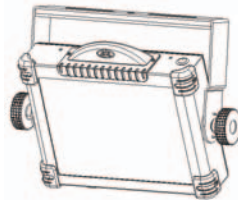
2 Mounting hardware configuration (cont'd)

The MT7570 has a fully adjustable bracket that can be mounted in a variety of positions. Once the terminal is in position it can be locked into place by using the two Nord-Lock locking rings which are supplied under the locking knobs. These rings have teeth which lock the parts into position once the knobs are securely tightened.

MT7570 Bottom Mounting



MT7570 Top Mounting



3 Connecting Power

The MT7570 is shipped with a standard DC Accessory Plug which can plug directly into a standard 12VDC Accessory socket found on many mobile vehicles. This plug contains a 5 amp slow blow fuse which can protect the device from short circuits. If this plug is removed, it is recommended that the input be protected with a 5 amp slow blow fuse. Please refer to the MT7570 User's Manual to learn more about connecting power.

Description of the Power Cord (Black Cable from bottom of terminal)

1. Red Wire / 9 to 36VDC (Standard) or 36 to 75VDC (Optional) / 3 Amps maximum draw from vehicle

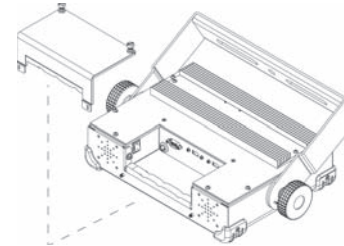
Note: This line must be fused (5 Amp Max). DO NOT wire directly to the battery.

2. Black Wire / GND

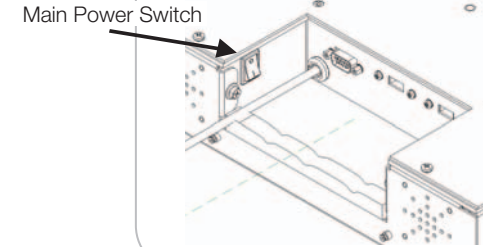
4 MT7570 Main Power Switch

The MT7570 is shipped from the factory with the main power switch turned off (all power is removed from the MT7570 terminal). When powering on the MT7570 for the first time, you will need to remove the rear access panel and turn the main power switch to the "ON" position.

Removing Rear Access Panel



MT7570 Rear Access Panel



Description of the Terminal On/Off Push Button

The Terminal On/Off Push Button is the main control to turn on and off the terminal. Pressing the button once turns the terminal on. Pressing the button again turns the terminal off.

Please refer to the MT7570 User's Manual to learn more about the Main Power Switch and the Terminal On/Off Push Button.

MT7570 On/Off Push Button

Terminal On/Off Push Button

